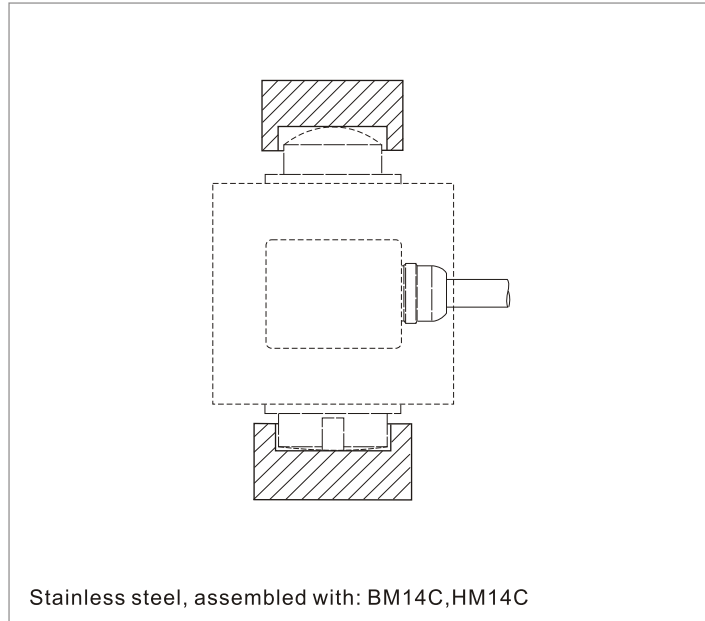


Accessory

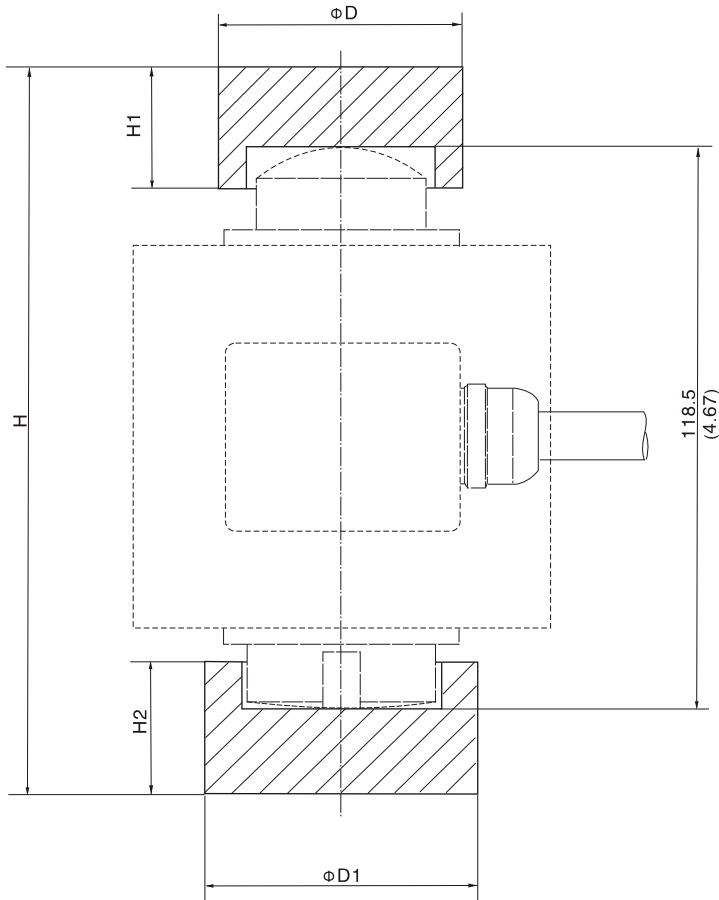
BY-14-117

Capacity	Part number
0.5t-5t	BY-14-117-0.5/5t
10t-50t	BY-14-117-10/50t

Features:
With slope stopping ability,
and anti-rotation construction.



Outline Dimension mm(inch)



Dimension	Capacity	
	0.5t-5t	10t-50t
ΦD	52 (2.05)	68 (2.68)
ΦD1	58 (2.28)	68 (2.68)
H	154.5 (6.08)	168.5 (6.63)
H1	23 (0.91)	35 (1.38)
H2	28 (1.1)	35 (1.38)