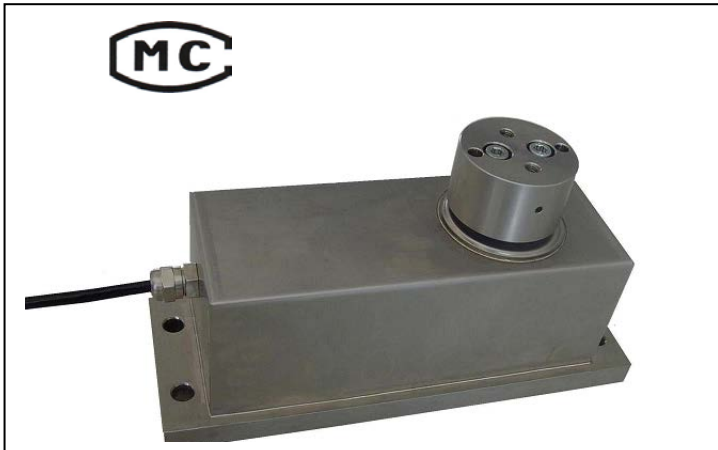
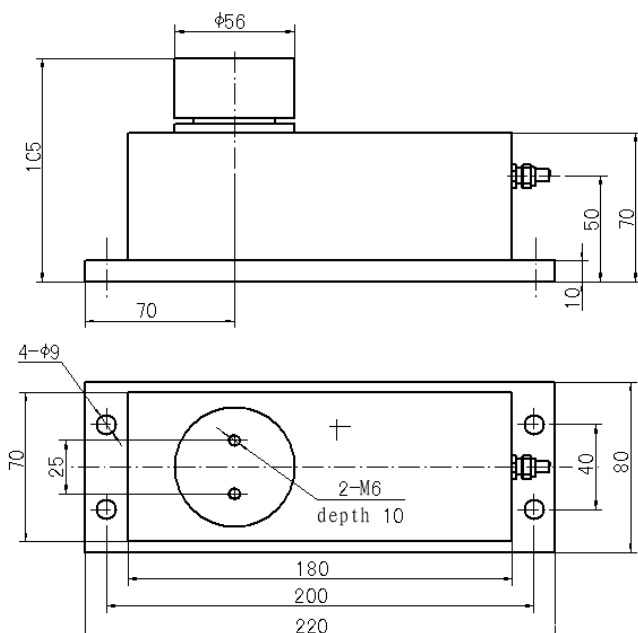


**LOAD CELL B6Z**


- ◆ Apply to heavy-duty system
- ◆ Integrated overload protection
- ◆ Stainless steel housing
- ◆ Capacities : 5Kg to 50Kg
- ◆ Protection Class: IP67

**Specification:**

Capacity	Kg	5/10/20/30/50/100
Accuracy class		C3
Maximum number of verification intervals	$n_{max}$	3000
Minimum load cell verification interval	$v_{min}$	$E_{max}/7500$
Combined error	%FS	0.020
Creep	%FS/30min	0.016
Temperature effect on zero	%FS/10° C	0.019
Temperature effect on sensitivity	%FS/10° C	0.011
Output	mv/v	2.0
Excitation Voltage	DC V	5-12
Input Resistance	$\Omega$	$406 \pm 6$
Output Resistance	$\Omega$	$350 \pm 3$
Temperature compensated	°C	-10~+40
Temperature allowed	°C	-35~+70
Safe overload	%FS	120
Ultimate overload	%FS	500

**Outline Dimension mm**

**Wiring:**

Shielded ,4 conductor cable:  $\phi$  5mm  
 Standard cable length: 3m  
 Cable type and cable length for customer' s own application are available on request.

**Cable specifications:**

Red : Input +  
 Black: Input -  
 Green: Output +  
 White: Output -